



# SEMI AUTOMATIC SHIRT FINISHER MOD SR 1000 V



**The true alternative in small dry-cleaning shops and laundries for quality and productivity in the finishing of ironing men's or women's shirts, smocks, doctor's suit, jackets and overcoats.**

#### **Features and strength**

- Strong and complete steam distribution , moistens the fabric to remove creases
- Hot air blowing presses and dries the fabric
- Front and rear paddle to hold the garment in place
- Time switch programmed through digital electronic control panel
- Automatic stretching ahead and upright of the arms and clamps
- Return and sleeve stretching by air operated regulation
- Adjustable air blowing to comply at garment variety
- Supplied with a pair of sleeves and clamps
- Built-in vacuum motor for simply installation
- For shirts, jacket and doctor suits processing
- Productivity 40 pc/h
- Super heating device

#### **Mains options**

- Water spray gun

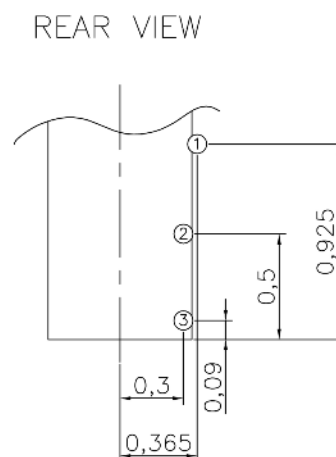
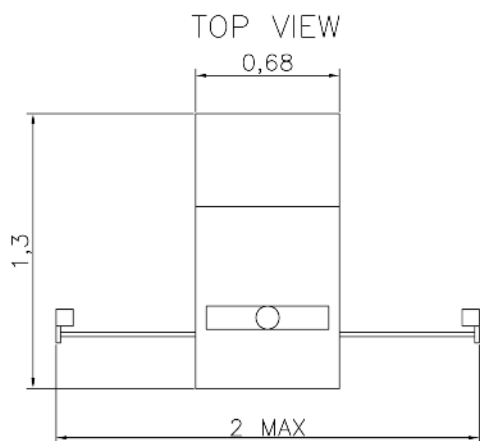


**Made in Italy with Italian Fashion Mind**



## TECHNICAL FEATURES SR 1000

Electric Connections		Mod SR 1000V
Standard voltage		
400V-3Ph-50Hz	kW	4
other voltages available on request		
Vacuum motor power	kW	2,2
Super heating device	kW	1
Steam and air connection		
Steam inlet	inch	1/2 "
Steam outlet	inch	1/2 "
Steam supply	Kpa	400 - 600
Steam supply	bar	6
Steam consumption	kg/h	25-30
Compressed Air inlet	inch	1/4 "
Compressed Air supply	Kpa	600-800
Compressed Air supply	bar	6
Shipping details		
Packing type		Pallet+carton box
Packing size	mm	1500 x 1000 x 2000H
Net weight	kg	200
Gross weight	kg	250



③	CONDENSATION RETURN	1/2" F
②	STEAM	1/2" F
①	AIR INLET	∅ 8mm



**ROTONDI group Srl**  
 Via Fratelli Rosselli, 14/16  
 20019 Settimo Milanese (Milano) - Italia  
 Tel. (+39) 02.335.01.224 - Fax (+39) 02.335.01.329  
 E-mail: [rotondi@rotondigroup.it](mailto:rotondi@rotondigroup.it)  
[www.rotondigroup.com](http://www.rotondigroup.com)

Agente: